

GENERAL DESCRIPTION

The Diskuss is an architectural indoor/outdoor lighting product based on the latest technology in high-output white LEDs. Optional nickel metal hydride batteries and a diagnostic charger allow for normally on and emergency lighting in one fixture. Self-powered models may be wired to allow independent wall switching when line voltage is present. Failure of line voltage will cause automatic emergency transfer. Diskuss is available in a wide range of decorative finishes to blend with any setting. Diskuss is a Made in the USA product.

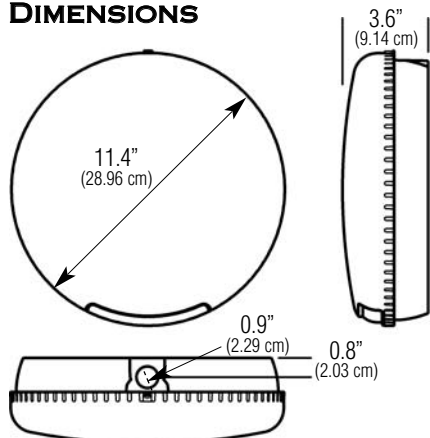
ILLUMINATION

Illumination is provided by two field-replaceable white LED modules and a vacuum plated polycarbonate reflector. The reflector design has been optimized to produce a 1 footcandle average illumination along a 6' x 30' path of egress when placed at a mounting height of 8' AFF. IES photometric data files are available.

INSTALLATION

The Diskuss housing is designed for direct mounting to a 3½" octagonal, 4" octagonal or single gang junction boxes using convenient keyhole knockouts. The unit may also be connected to surface conduit via its top-located conduit entry knockout. A tamperproof fastener for attaching the cover is provided standard.

DIMENSIONS



Dimensions are approximate and subject to change.

Diskuss

Architectural White LED Lighting Fixture

Optional Emergency Packages

7.2 Volt, 12 Watt, White LED Lamps

NiMH Battery, Standard Self-Diagnostics Electronics*

Wet Location Listing Standard



SHOWN: DNBRIC

HOUSING

Durable and fully gasketed die cast aluminum housing and cover with UV stabilized polycarbonate lens. A full range of pleasing architecturally inspired powder coated finishes are available (see below). Wall mount to standard 3½" or 4" octagonal junction box or single gang junction box. Surface conduit entry knockout located on top of housing. Tamperproof hardware is included standard.

INTELLI-CHARGE ELECTRONICS

AC Only - 120/277 VAC dual voltage input with surge protection is standard on all models.

Self-Powered Operation - Charging system is micro-processor driven with software embedded diagnostic routine and temperature compensation. See specification sheet C1059 for electronics details. 120/277 VAC input, surge protection, brownout, AC lockout and low voltage disconnect features are standard.

OPERATING TEMPERATURE RANGE

AC-Only Models

Standard Wet Location: -40°F (-40°C) to 104°F (40°C)
Standard Wet Location w/ 2CKT Option: -40°F (-40°C) to 104°F (40°C)

Self-Powered Models

Standard Wet Location: 32°F (0°C) to 104°F (40°C)
Standard Wet Location w/ Heater Option: -40°F (-40°C) to 104°F (40°C)

INTELLI-CHARGE SELF-TESTING DIAGNOSTICS (OPTIONAL)

The Intelli-Charge diagnostic/charging platform with optional self-testing mode automatically runs a one-minute self-test every 30 days and a 30-minute test on the sixth and twelfth month. A one-minute or 90-minute test may be initiated via the push to test switch on the unit or by activating the appropriate test command on the optional IR test device.

* Self-powered models incorporate the Intelli-Charge diagnostics electronics package. Self-testing is a factory installed option.

CODE COMPLIANCE

UL 1598 listed, UL 924 listed
UL wet location listing standard
NFPA 101, NEC, IBC, BOCA, and OSHA illumination standard
ADA compliant

ELECTRICAL SPECIFICATIONS

Input Power Requirements

AC Only Models

120 VAC: 60 Hz, 0.203A
277 VAC: 60 Hz, 0.087A

AC Only, 2 Circuit Models

120 VAC: 60 Hz, 0.203A
277 VAC: 60 Hz, 0.087A

Self-Powered Models Without Heater

120 VAC: 60 Hz, 0.198A
277 VAC: 60 Hz, 0.088A

Self-Powered Models With Heater

120 VAC: 60 Hz, 0.366A
277 VAC: 60 Hz, 0.148A

BATTERY

Maintenance-free sealed nickel metal hydride with 10-year life.

WARRANTY

Three year full electronics warranty
Five year full plus five year prorated NiMH battery warranty

ORDERING INFORMATION (EXAMPLE: DNBRIC)

D	 	 	IC	
SERIES	BATTERY	HOUSING FINISH	MODEL DESIGNATOR	FACTORY INSTALLED OPTIONS

D = Diskuss LED Lighting Fixture

A = AC Only
N = Self-Powered Emergency Unit with Nickel Metal Hydride Battery (NiMH)

W = White
B = Black
A = Aluminum
G = Gunmetal
BR = Ornamental Bronze
AC = Aged Copper
VG = Velvet Green
N = Nickel
GA = Granite

IC = Intelli-Charge Diagnostics

2CKT1 = Two-Circuit 120/120 VAC (AC only models)
2CKT2 = Two-Circuit 277/277 VAC (AC only models)
DC = Universal 12-48 VDC Remote Emergency Input (AC only models)
EX = Special Input Transformer (specify voltage & frequency)
HR = Heater Option for -40°C to 40°C Ambient
T = Self-Testing Diagnostics
TA = Audible Self-Testing Diagnostics
TD = Time Delay

ACCESSORIES (order as a separate line item)

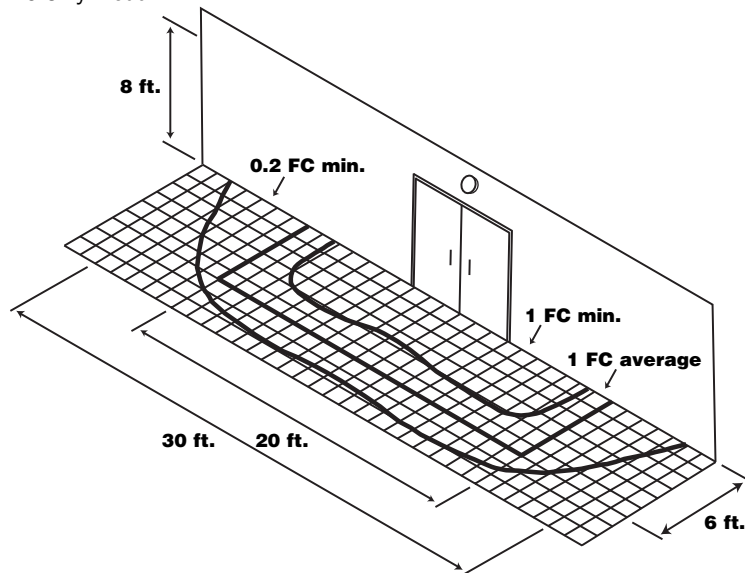
ICIR = Intelli-Charge Infra-Red Remote
T10TPTOOL = Tamperproof Screwdriver

Specification Data for Diskuss

OPTICS*

(Wall mounted 8' AFF)

AC Only Mode

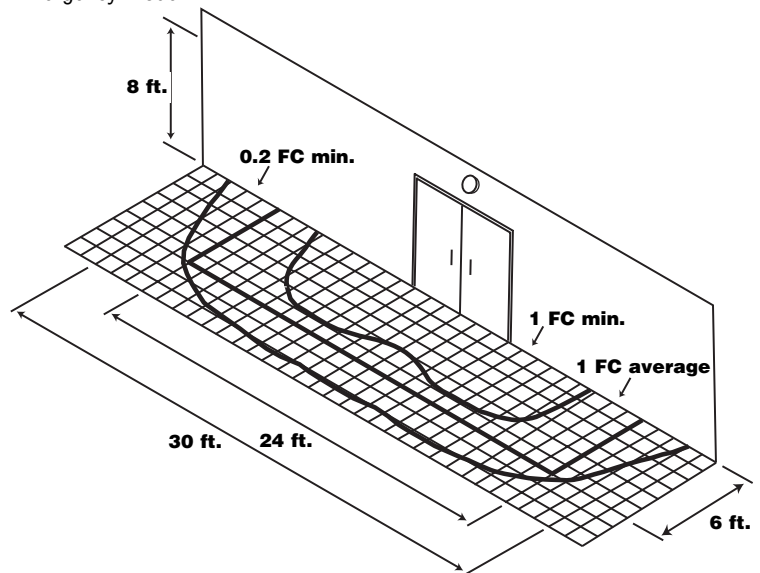


Emergency Operation (AC Only and AC 2 Circuit)

Dual fixtures on 27' centers, 8' AFF, provide an average of 1 footcandle on a 5' wide path.

Single fixture provides an average of 1 footcandle over 20 feet on a 6' wide path.

Emergency Mode



Emergency Operation (Self-Powered)

Dual fixtures on 30' centers, 8' AFF, provide an average of 1 footcandle on a 6' wide path.

Single fixture provides an average of 1 footcandle over 24 feet on a 6' wide path.

* The optics layout shown is intended to be used as reference only. Standard reflectances used were 80/50/20. Chloride is not responsible for site specific conditions that may alter the results.

SUGGESTED SPECIFICATION

Furnish and install Chloride's Diskuss lighting fixture model _____. The unit shall be constructed to meet Underwriters Laboratories, Inc. Standard 1598 & 924 and must be installed to conform to Article 700 of the National Electrical Code (NEC).

INSTALLATION AND OPERATION AC Only Models – Unit shall be easily field connected to a 120 or 277 VAC, 60 Hz, switched, dimmed, photo-celled, or occupancy sensor power source for normal illumination use. This configuration shall provide area illumination under normal power conditions as would any standard luminaire.

AC Only, 2 Circuit Models - The unit shall be easily field connected to a 120 or 277 VAC, 60 Hz, switched, dimmed, photo celled, or occupancy sensor power source on the primary input of the fixture for normal illumination use. The isolated secondary input of the unit shall be easily field connected to an emergency AC power source, such as a generator or inverter equal to the AC connection on the primary input (120/120 or 277/277). This method of installation shall provide emergency illumination in the event the generator or inverter system is brought on line.

AC/DC Models - The unit shall be easily field connected to a 120 or 277 VAC, 60 Hz, switched, dimmed, photo-celled, or occupancy sensor power source for normal illumination use. The unit shall have provisions for an isolated low-voltage emergency electrical connection that will accept any DC input ranging from 12 to 48 volts DC from an emergency battery unit (EBU) remotely located from the fixture and supplied separately. This method of installation shall provide emergency illumination in the event the EBU senses a brownout or power loss and transfers the DC battery backup voltage to the Diskuss luminaire.

Self-Powered, Nickel Metal Hydride Models - The unit shall be easily field connected to a 120 or 277 VAC, 60 Hz, switched, dimmed, photo-celled, or occupancy sensor power source on the primary input of the fixture for normal illumination use. The isolated secondary input (emergency input) of the unit shall be easily field connected to an unswitched 120 or 277 VAC, 60 Hz input and establish the method of monitoring the quality of the AC utility voltage for brownout or power outage conditions. This method of installation provides a single fixture for normal illumination as well as emergency illumination in a single fixture without the aid of other equipment or components.

ELECTRONICS – All self-powered models shall be provided with Chloride's Intelli-Charge diagnostics electronics platform. Intelli-Charge will detect and notify the installer regarding incorrect wiring of the input transformer primary and will restrict the damaging effects from reaching the printed circuit card. The Intelli-Charge electronics package shall provide continuous, real-time monitoring of all the critical equipment functions including, but not limited to: line voltage status and condition, charger fault, transfer fault, battery fault, LED load fault, and notify personnel with a visual indicator sequence. Optional audible diagnostics as well as self-testing diagnostics shall be available from the factory. The self-testing option shall satisfy the periodic testing requirements as defined in NFPA 101, Life Safety Code, NFPA 70, the National Electrical Code, as well as the International Building Code (IBC). The Intelli-Charge circuit shall continuously sample the ambient temperature conditions and adjust the charging regime to compensate for typical and dramatic ambient conditions to maximize the life of the battery and maintain a readiness condition for emergency use. The temperature compensation shall employ an algorithm equivalent to 3mv/C° change in temperature. An on-board IR receiver shall be standard and pre-programmed to operate from an optional IR user interface device (available as an accessory item).

BATTERY (Self-Powered Models Only) – The battery shall be a sealed, maintenance-free, nickel metal hydride (NiMH) technology. The NiMH battery shall provide trouble-free operation in temperatures ranging from 32°F (0°C) to 104°F (40°C) in standard products or -40°F (-40°C) to 104°F (40°C) in products ordered with the optional heater assembly. The battery shall be tested in accordance with the accelerated life testing requirements of the IEC. The battery shall be supplied with a five-year full warranty.

ILLUMINATION – Illumination shall be provided by two six-watt white LED modules designed and enhanced by a custom vacuum metalized polycarbonate reflector system. Adjacent fixtures mounted 30' on centers shall provide an average of 1 footcandle average when mounted at an 8' above finished floor (AFF).

HOUSING – Housing construction shall be of premium die cast aluminum with a UV stabilized polycarbonate diffusing lens. The unit shall be available in multiple colors and finishes. The unit shall be wall mounted to a standard 3½", 4" and single gang junction box. A wall mount gasket kit shall be provided for use when used in wet locations. The knockout unit shall be provided on the top of the fixture to accommodate surface conduit.



CHLORIDE
SYSTEMS

272 West Stag Park Service Road • Burgaw NC 28425
Telephone: (910) 259 1000 • Facsimile: (800) 258 8803
www.chloridesys.com

C1600R9
4/10 IH